



EC12

EKLECS012

The EC12 delivers exceptional performance in a compact, lightweight design. Equipped with a 12 x 50W RGBWW array, it produces up to 11,100 lumens while maintaining rich, vibrant colours and a high CRI. A wide zoom range of 3.8° to 48° makes it perfect for everything from tight beams to expansive coverage. Supporting an IP rating the EC12 can be deployed in all environments with minimal stress. With full pixel control for dynamic visual effects, multiple connectivity options, and a weight of just 20kg, the EC12 is the ultimate go-to fixture for any setup.



SYDNEY
+61 2 9748 1122

MELBOURNE
+61 3 9681 7511

PERTH
+61 8 9248 8119

BRISBANE
+61 7 3267 3177

AUCKLAND
+64 9 869 3293



EC12 Specifications

Optical System

Lamp Source	12 x 50W RGBWW
Zoom	3.8° to 48°
CCT	2800K to 10,000K
CRI	>93

Electrical Specifications

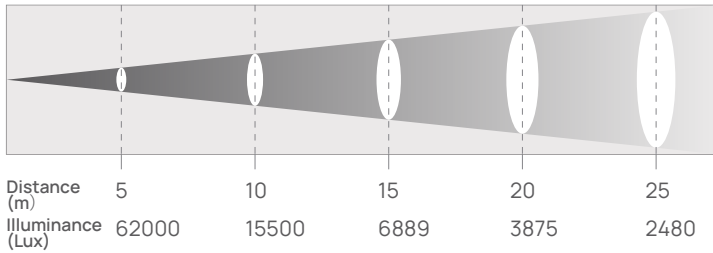
Voltage	100 – 240VAC 50/60Hz
Max Power	750W
Power Connection	True1 In/Out
Signal Connection	5pin DMX In/Out, 2x RJ45 EtherCON

Work Environment

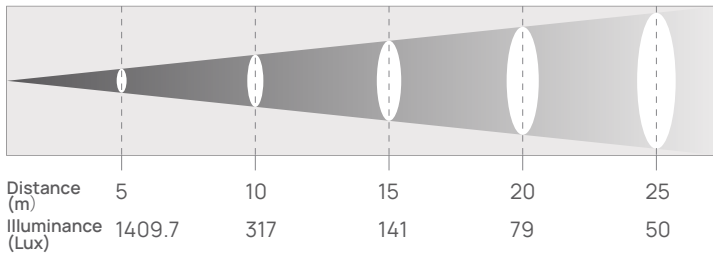
Ambient Temperature	-10 to 45°C
IP Rating	IP66

Photometrics

Beam Angle 3.8° *All LEDs On*



Beam Angle 33°



Control System

Dimmer	0 to 100% 22-bit
Pan/Tilt	540°/270° 16-bit
Cooling	Heat sink with low noise fan
Control	DMX512, RDM, ArtNet, sACN, NFC
Display	2.8 inch TFT display
Personality	18/36/37/62/84/85ch

Appearance

Size (LWH)	429 x 277 x 492mm
Weight	20kg
Casing	Magnesium Alloy
Colour	Black

Included Accessories

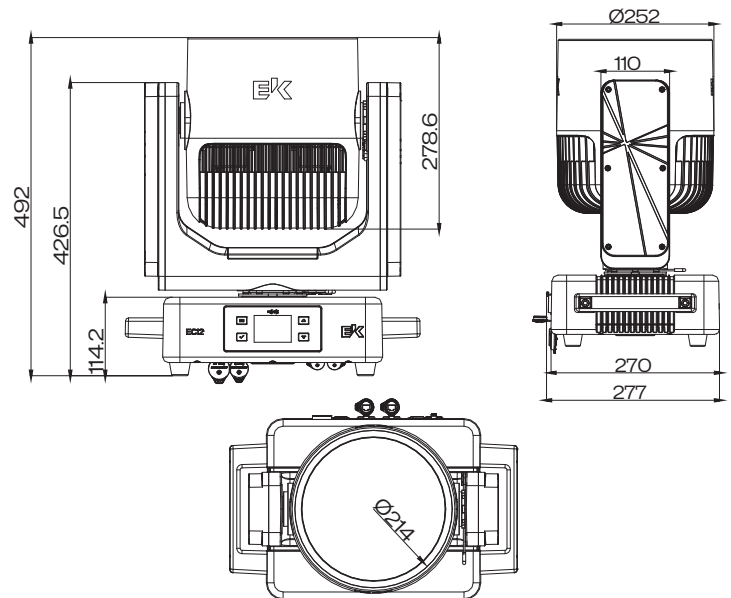
2 x Omega Bracket

1 x TrueCon

Optional Accessories

EKLECS012F EC12 2 Way FlightCase

Dimensions



Notes

SYDNEY
+61 2 9748 1122

MELBOURNE
+61 3 9681 7511

PERTH
+61 8 9248 8119

BRISBANE
+61 7 3267 3177

AUCKLAND
+64 9 869 3293

